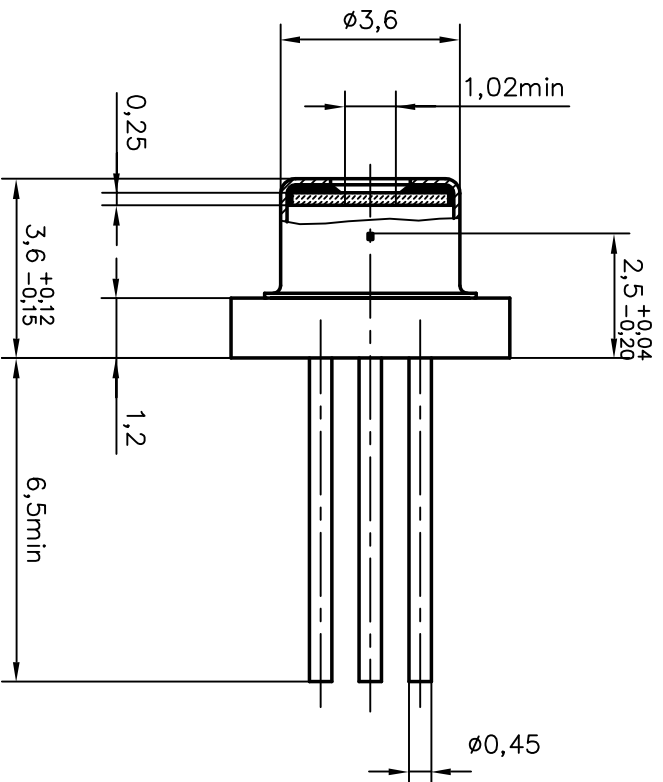
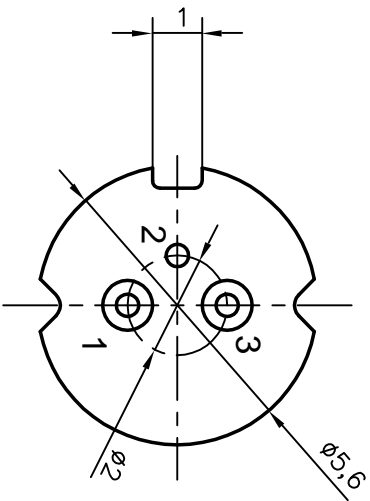




Superlum

RevNo	Revision note	Date	Signature	Checked
-------	---------------	------	-----------	---------



PINNING

Pin.	Var. 1	Var. 2 (Request only!)
1	cathode SLD (-)	anode SLD (+)
2	common, case (+)	common, case (-)
3	anode PD (-)	cathode PD (+)

All sizes in mm.

Itemref	Quantity	Title/Name, designation, material, dimension etc		Article No./Reference
Designed by XXX	Checked by XXX	Approved by - date 00/00/00	File name SL_GCH.dwg	Date 00/00/00
Superlum Diodes, Ltd.		T0 5,6 mm package		Scale -

SL.2222.00.000

Edition	Sheet
0	1/1